

IN700-485 Series INTESIS PROTOCOL TRANSLATOR WITH SERIAL AND IP SUPPORT

USER MANUAL
Version 1.4.5
Publication date 2024-02-28



Copyright © 2022 Intesis

Disclaimer

The information in this document is for informational purposes only. Please inform HMS Networks of any inaccuracies or omissions found in this document. HMS Networks disclaims any responsibility or liability for any errors that may appear in this document.

HMS Networks reserves the right to modify its products in line with its policy of continuous product development. The information in this document shall therefore not be construed as a commitment on the part of HMS Networks and is subject to change without notice. HMS Networks makes no commitment to update or keep current the information in this document.

The data, examples and illustrations found in this document are included for illustrative purposes and are only intended to help improve understanding of the functionality and handling of the product. In view of the wide range of possible applications of the product, and because of the many variables and requirements associated with any particular implementation, HMS Networks cannot assume responsibility or liability for actual use based on the data, examples or illustrations included in this document nor for any damages incurred during installation of the product. Those responsible for the use of the product must acquire sufficient knowledge in order to ensure that the product is used correctly in their specific application and that the application meets all performance and safety requirements including any applicable laws, regulations, codes and standards. Further, HMS Networks will under no circumstances assume liability or responsibility for any problems that may arise as a result from the use of undocumented features or functional side effects found outside the documented scope of the product. The effects caused by any direct or indirect use of such aspects of the product are undefined and may include e.g. compatibility issues and stability issues.

Table of Contents

| | |
|--|-----------|
| 1. Description and Order Codes | 1 |
| 2. General Information | 2 |
| 2.1. Intended Use of the User Manual | 2 |
| 2.2. General Safety Information | 2 |
| 2.3. Admonition Messages and Symbols | 2 |
| 3. General Introduction | 4 |
| 4. Modbus Master to BACnet Server | 5 |
| 4.1. Specific Gateway Introduction | 5 |
| 4.2. Functionality | 5 |
| 5. BACnet Client to Modbus Server | 6 |
| 5.1. Specific Gateway Introduction | 6 |
| 5.2. Functionality | 6 |
| 6. BACnet Client to ASCII | 7 |
| 6.1. Specific Gateway Introduction | 7 |
| 6.2. Functionality | 7 |
| 7. Gateway Capacity | 8 |
| 8. BACnet Interface | 9 |
| 8.1. General Description | 9 |
| 8.2. BACnet Client | 10 |
| 8.2.1. Description | 10 |
| 8.2.2. Points Definition | 11 |
| 8.3. BACnet Server | 12 |
| 8.3.1. Description | 12 |
| 8.3.2. BACnet/IP | 13 |
| 8.3.3. BACnet MS/TP | 13 |
| 9. Modbus Interface | 14 |
| 9.1. General Description | 14 |
| 9.2. Modbus Server Interface | 14 |
| 9.2.1. Description | 14 |
| 9.2.2. Functions Supported | 14 |
| 9.2.3. Modbus RTU | 15 |
| 9.2.4. Modbus TCP | 15 |
| 9.2.5. Modbus Server Interface Points Definition | 16 |
| 9.3. Modbus Client Interface | 16 |
| 9.3.1. Description | 16 |
| 9.3.2. Points Definition | 17 |
| 10. ASCII Interface | 18 |
| 10.1. Description | 18 |
| 10.2. ASCII Serial | 18 |
| 10.3. ASCII TCP | 18 |
| 10.4. Address Map | 18 |
| 10.5. Points Definition | 19 |
| 10.6. Messages | 20 |

11. Mounting 21

12. Connections 22

 12.1. Power Supply 22

 12.2. Connection Diagrams for each Application 24

 12.3. Connection to Modbus 27

 12.4. Connection to BACnet 28

 12.5. Connection to ASCII 29

 12.6. Console and USB Connections 30

13. Set-up Process with the Configuration Tool 31

 13.1. Prerequisites 31

 13.2. Intesis MAPS: Configuration and Monitoring Tool 31

 13.2.1. Introduction 31

 13.2.2. Template Selection 32

 13.2.3. Connection Tab 33

 13.2.4. Configuration Tab 34

 13.2.5. Signals Tab 35

 13.2.6. Receive/Send Tab 35

 13.2.7. Diagnostic Tab 36

14. Technical Specifications 38

15. Dimensions 39

1. Description and Order Codes

| ORDER CODE | LEGACY ORDER CODE | | |
|-----------------|-------------------|-----------------|-----------------|
| IN7004851000000 | INMBSBAC1000000 | INBACMBM1000000 | - |
| IN7004852500000 | INMBSBAC2500000 | INBACMBM2500000 | - |
| IN7004856000000 | INMBSBAC6000000 | INBACMBM6000000 | INASCBAC6000000 |
| IN7004851K20000 | INMBSBAC1K20000 | INBACMBM1K20000 | - |
| IN7004853K00000 | INMBSBAC3K00000 | INBACMBM3K00000 | INASCBAC3K00000 |

| PRODUCT NAME | ORDER CODE | DESCRIPTION | INTESIS MAPS TEMPLATE | APPLICATION |
|--------------|------------------|--|-----------------------|--------------------------------|
| IN700-485 | IN700485xxx0000* | Intesis Protocol Translator with Serial and IP Support | IN-BAC-MBM | Modbus master to BACnet server |
| | | | IN-MBS-BAC | BACnet client to Modbus server |
| | | | IN-ASCII-BAC | BACnet client to ASCII |

*xxx defines the Intesis gateway capacity.

2. General Information

2.1. Intended Use of the User Manual

This manual contains the main features of this Intesis gateway and the instructions for its appropriate installation, configuration, and operation.

The contents of this manual should be brought to the attention of any person who installs, configures, or operates this gateway or any associated equipment.

Keep this manual for future reference during the installation, configuration, and operation.

2.2. General Safety Information



IMPORTANT

Follow these instructions carefully. Improper work may seriously harm your health and damage the gateway and/or any other equipment connected to it.

Only technical personnel, following these instructions and the country legislation for installing electrical equipment, can install and manipulate this gateway.

Install this gateway indoors, in a restricted access location, avoiding exposure to direct solar radiation, water, high relative humidity, or dust.

All wires (for communication and power supply, if needed) must only be connected to networks with indoor wiring. All communication ports are considered for indoor use and must only be connected to SELV circuits.

Disconnect all systems from power before manipulating and connecting them to the gateway.

Use a circuit breaker before the power supply. Rating: 250 V, 6 A.

Supply always a correct voltage to power the gateway. See [Technical Specifications \(page 38\)](#).

Respect the expected polarity of power and communication cables when connecting them to the gateway.



CAUTION

Only an authorized installer is allowed to replace the battery. There's a risk of explosion if the battery is replaced by an incorrect type. Dispose of used batteries according to local legislation.

Safety instructions in other languages can be found at <https://intesis.com/docs/manuals/v6-safety>

2.3. Admonition Messages and Symbols



DANGER

Instructions that must be followed to avoid an imminently hazardous situation that, if not avoided, will result in death or severe injury.



WARNING

Instructions that must be followed to avoid a potentially hazardous situation that, if not avoided, could result in death or severe injury.

**CAUTION**

Instruction that must be followed to avoid a potentially hazardous situation that, if not avoided, could result in minor or moderate injury.

**IMPORTANT**

Instruction that must be followed to avoid a risk of reduced functionality and/or damage to the equipment or to avoid a network security risk.

**NOTE**

Additional information which may facilitate installation and/or operation.

**TIP**

Helpful advice and suggestions.

**NOTICE**

Remarkable Information.

3. General Introduction

This Intesis® gateway allows you to integrate Serial and IP protocols easily.

This document describes the available applications for this gateway:

- Modbus® TCP & RTU Client to BACnet®/IP & MS/TP Server.
- BACnet/IP & MS/TP Client to Modbus TCP & RTU Server.
- BACnet/IP & MS/TP Client to ASCII IP & Serial.



IMPORTANT

This document assumes that the user is familiar with BACnet, Modbus, and ASCII technologies and their technical terms.



NOTE

Some sections provide general information common to all applications, while others highlight specific differences, capacities, or limitations.

In general terms, you must have a BACnet, Modbus, or ASCII control and monitoring system on one side and a Modbus or BACnet installation or device on the other side (only one at a time).



IMPORTANT

The Intesis gateway can act as a server or client for BACnet and Modbus but only as a server for ASCII.

As always, the configuration process is fast and easy:

1. Launch the configuration tool.
2. Select the template.
3. Connect the Intesis gateway to the PC.
4. Adjust the configuration and signals to your project.
5. Send the configuration to the gateway.

And you are ready to go!

4. Modbus Master to BACnet Server

4.1. Specific Gateway Introduction

This section describes the integration of Modbus RTU and/or Modbus TCP devices into BACnet/IP or MS/TP installations using the **Modbus master to BACnet server** application.

This integration allows a BACnet control system to access the signals and resources of Modbus devices as if they were part of the BACnet system itself and vice versa.

The gateway configuration is carried out through the configuration tool.

4.2. Functionality

From the Modbus point of view, the gateway continuously polls the installation or devices, storing in its memory the values of the points that you previously configured to be read. On the other hand, from the BACnet point of view, the control and monitoring system reads and writes those stored points.

This is possible because, inside the gateway, all Modbus registers of the server devices are associated with BACnet objects. This makes the BACnet control and monitoring system perceive the Modbus installation (all the server devices) as if it were a single BACnet device.

When the gateway polls the Modbus devices, if a non-response is detected, the corresponding virtual signal inside the gateway will be activated, indicating the communication error to the BACnet system.

The gateway has two EIA-485 ports for Modbus RTU integration: Port A and Port B. This function allows you to integrate up to 64 devices (32 in each port) with no additional repeaters in the network.

This functionality is disabled when BACnet MS/TP is selected in Intesis MAPS, leaving only Port A available for Modbus RTU connectivity and Port B for BACnet MS/TP devices.

By default, Port A is configured for Modbus RTU and Port B for BACnet MS/TP.

5. BACnet Client to Modbus Server

5.1. Specific Gateway Introduction

This section describes the integration of BACnet MS/TP and BACnet/IP devices into Modbus RTU or TCP installations using the **BACnet client to Modbus server** application of the Intesis gateway.

This integration allows a Modbus control system to access the signals and resources of BACnet devices as if they were part of the Modbus system itself and vice versa.

The gateway configuration is carried out through the configuration tool.

5.2. Functionality

From the BACnet point of view, the gateway continuously polls the installation or devices, storing in its memory the values of the points that you previously configured to be read. With the change of value (COV) system, the gateway can also subscribe to configured BACnet points, automatically receiving their values when they change. On the other hand, from the Modbus point of view, the control and monitoring system reads and writes those stored points.

This is possible because, inside the gateway, all BACnet objects of the server devices are associated with Modbus registers. This makes the Modbus control and monitoring system perceive the BACnet installation (all the server devices) as if it were a single Modbus device.

When the gateway polls the BACnet devices, if a non-response is detected, the corresponding virtual signal inside the gateway will be activated, indicating the communication error to the Modbus system as error registers.

6. BACnet Client to ASCII

6.1. Specific Gateway Introduction

This section describes the integration of BACnet/IP and MS/TP devices into ASCII IP or Serial installations using the **BACnet client to ASCII** application.

This integration allows any ASCII system to access the signals and resources of BACnet devices as if they were part of the system itself and vice versa.

The gateway configuration is carried out through the configuration tool.

6.2. Functionality

From the BACnet point of view, the gateway continuously polls the installation or devices, storing in its memory the values of the points that you previously configured to be read. On the other hand, from the ASCII point of view, the control and monitoring system reads and writes those stored points.

This is possible because, inside the gateway, all BACnet objects of the server devices are associated with ASCII objects. This makes the ASCII control and monitoring system perceive the BACnet installation (all the server devices) as if it were a single ASCII device.

When the gateway polls the BACnet devices, if a non-response is detected, the corresponding virtual signal inside the gateway will be activated, indicating the communication error to the ASCII system.

7. Gateway Capacity

Table 1. For Modbus master to BACnet server

| Supported elements | IN700485100 0000 | IN700485250 0000 | IN700485600 0000 | IN7004851K2 0000 | IN7004853K0 0000 |
|---|---|---------------------|---------------------|---------------------|---------------------|
| | 100 version | 250 version | 600 version | 1200 version | 3000 version |
| Type of BACnet devices | Those supporting communication with BACnet/IP and MS/TP | | | | |
| Maximum number of BACnet objects | 100 | 250 | 600 | 1200 | 3000 |
| Maximum number of BACnet Subscriptions (COV) requests | 200 | 500 | 1200 | 2400 | 6000 |
| Type of Modbus server devices | Those supporting communication over Modbus TCP/IP and RTU (EIA-485) | | | | |
| Number of Modbus server nodes and devices supported | TCP: Up to 5 Modbus TCP nodes and up to 254 devices per TCP node RTU: Up to 254 Modbus RTU devices | | | | |

Table 2. For BACnet client to Modbus server

| Supported elements | IN700485100 0000 | IN700485250 0000 | IN700485600 0000 | IN7004851K2 0000 | IN7004853K0 0000 |
|---|---|---------------------|---------------------|---------------------|---------------------|
| | 100 version | 250 version | 600 version | 1200 version | 3000 version |
| Type of BACnet devices | Those supporting communication with BACnet/IP and MS/TP | | | | |
| Maximum number of BACnet devices | 256 | | | | |
| Maximum number of Modbus Registers | 100 | 250 | 600 | 1200 | 3000 |
| Modbus link layers | Those supporting communication over Modbus TCP/IP and RTU (EIA-485) | | | | |
| Number of Modbus client nodes and devices supported | TCP: Up to 5 TCP nodes RTU: One client device per RTU node | | | | |

Table 3. For BACnet client to ASCII

| Supported elements | IN700485100 0000 | IN700485250 0000 | IN700485600 0000 | IN7004851K2 0000 | IN7004853K0 0000 |
|-----------------------------------|---|---------------------|---------------------|---------------------|---------------------|
| | 100 version | 250 version | 600 version | 1200 version | 3000 version |
| Type of BACnet devices | Those supporting communication with BACnet/IP and MS/TP | | | | |
| Maximum number of BACnet devices | 256 | | | | |
| Maximum number of ASCII Registers | 100 | 250 | 600 | 1200 | 3000 |
| ASCII link layers | Those supporting communication with ASCII client with simple messages through a TCP/IP or serial (EIA-232/EIA-485) connection | | | | |

8. BACnet Interface

8.1. General Description

BACnet is a solid standard with many detailed concepts, but for this manual purposes, we will focus on the two most fundamental concepts:

- BACnet client, which is the device that sends service requests to the server.
- BACnet server, which is the device that performs the requested service and reports the result back to the client.

BACnet server devices are represented in the form of *devices* holding *objects*. Usually, every physical device corresponds to a logical one. The objects can be of different types depending on the data and functionality they represent: Analog input, Analog output, Digital input, etc.



NOTE

- Output objects are meant to be written from the BACnet network to the device.
- Input objects are meant to offer status information on the BACnet device.
- Value objects are bidirectional.

Every object has different properties. The most meaningful one is the **Present_Value** property, which indicates the real value of the object. Also, the gateway uses this property to read and write values. Every object of the same type in a device is identified with its associated **object instance**.

8.2. BACnet Client

8.2.1. Description

The gateway implements a single BACnet object of its own: its BACnet Device Object, which contains its BACnet Device Identifier and basic properties of the gateway as a BACnet device (name, firmware version, etc.).



NOTICE

When acting as a client device, the Intesis gateway is classified under the device profile of a BACnet Application Specific Controller (B-ASC). For further details, check out the product website for the BACnet client PIC statements.

The gateway emulates a client device in the BACnet system.

These are the possible BACnet objects supported by the Intesis gateway:

| Object Type | Property | Description |
|-------------------|---------------|---|
| Analog Input | Present Value | Analog signal, for example, Ambient temperature |
| Analog Output | Present Value | Analog signal |
| Analog Value | Present Value | Analog signal, for example, Temperature set point value |
| Binary Input | Present Value | Digital signal, for example, ON/OFF status |
| Binary Output | Present Value | Digital signal, for example, ON/OFF command |
| Binary Value | Present Value | Digital signal, for example, ON/OFF status/ command |
| Multistate Input | Present Value | Multistate signal, for example, Working mode status |
| Multistate Output | Present Value | Multistate signal |
| Multistate Value | Present Value | Multistate signal, for example, Working mode command |
| Accumulator | Present Value | |
| Loop | Present Value | |

Every signal is identified with its associated Device + Object Type + Object Instance.



IMPORTANT

Though BACnet/IP and BACnet MS/TP physical layers are supported, only one physical layer can be used at a time, i.e., if communicating to BACnet using BACnet/IP, BACnet MS/TP cannot be used, and vice versa.





NOTE

Using the configuration tool, it's possible to scan the BACnet network for available devices and their objects, which can later be directly added to your configuration. This feature facilitates the configuration process, avoiding entering them manually.

8.2.2. Points Definition

Every point defined in the Intesis gateway has the following BACnet features associated with it:

| Feature | Description |
|-------------------------------|---|
| BACnet Device | <p>BACnet device to which the point belongs (a list of 256 BACnet devices can be defined in the Intesis gateway).</p> <p>For every BACnet device defined, a virtual signal is created automatically in the gateway to report the communication status with the BACnet device. Like the rest of the points, this signal is also available from the other protocol's interface.</p> |
| BACnet object type | <ul style="list-style-type: none"> • AI: Analog Input • AO: Analog Output • AV: Analog Value • DI: Digital Input • DO: Digital Output • DV: Digital Value • MI: Multistate Input • MO: Multistate Output • MV: Multistate Value • LOOP: Loop • ACUM: Accumulator <div style="background-color: #f0f0f0; padding: 5px; margin-top: 10px;">  <p>IMPORTANT Please read the documentation of the BACnet devices you're willing to integrate to know their object types.</p> </div> |
| BACnet object instance | <p>BACnet object instance for the point on the external BACnet device.</p> <div style="background-color: #f0f0f0; padding: 5px; margin-top: 10px;">  <p>IMPORTANT Please read the documentation of the BACnet devices you're willing to integrate to know their object types.</p> </div> |

8.3. BACnet Server

8.3.1. Description



NOTICE

When the Intesis gateway acts as a server device, it is classified under the device profile of a BACnet Advanced Application Controller (B-AAC). For further details, check out the product website for the BACnet client PIC statements.

Using the Intesis MAPS configuration tool, you can configure the object type associated with the signal on the other protocol.

To facilitate the translation towards BACnet, the following object type options are available:

| Object Type | ID |
|--------------------|----|
| Analog-Input | 0 |
| Analog-Output | 1 |
| Analog-Value | 2 |
| Binary-Input | 3 |
| Binary-Output | 4 |
| Binary-Value | 5 |
| Calendar | 6 |
| Device | 8 |
| Multistate-Input | 13 |
| Multistate-Output | 14 |
| Multistate-Value | 19 |
| Notification-Class | 15 |
| Schedule | 17 |
| Trend-Log | 20 |
| Trend-Log-Multiple | 27 |

Every signal of the Intesis gateway can have several objects. These objects and their properties can be configured with the configuration tool.

Depending on the field device protocol, you can define the signals using one of the following options:

- Configuring them manually for each or multiple signals at the time.
- Importing a file with the signals of the field devices.
- Scanning the network of the devices if this is supported.

Example 1. Signals compatibility

You can choose an object from the BACnet server column that is compatible with this signal. For example, a writable register in the Modbus device can be an output object type on the BACnet server side; a readable and writable register can be a value object type, etc.



NOTICE

The configuration tool provides default templates that make this signals assignment process easier. Also, you only have to click the **Check table** button on the bottom right corner of the window to know if everything is correct or if there's some mistake. The project is also automatically checked before you transfer it to the gateway.

All objects definition, BIBBs, and details about the implementation can be found on the BACnet server PICS on the product website.

8.3.2. BACnet/IP

The UDP communication port is the main setup parameter for BACnet/IP, besides basic IP settings (IP, netmask, default gateway). The Intesis gateway uses the 47808 (0xBAC0) port by default, which you can change through the configuration tool.

When using BACnet/IP, the gateway can also act as a foreign device to communicate with devices in another network domain. Alternatively, you can set it as a BBMD (Bacnet/IP Broadcast Management Device). This functionality facilitates the communication of devices placed in other networks with the devices in the gateway network.



IMPORTANT

BACnet/IP and BACnet MS/TP communication can not be used simultaneously.

8.3.3. BACnet MS/TP

When you choose BACnet MS/TP (serial communication), you have to use the Intesis MAPS configuration tool to associate the gateway with a MAC address within the MS/TP network segment.

Baud rates supported for MS/TP line are: 9600, 19200, 38400, 76800, 115200, or Autobauding (autodetect).

Standard wiring guidelines for EIA-485 apply to the BACnet MS/TP line.



IMPORTANT

BACnet MS/TP and BACnet/IP communication cannot be used simultaneously.

9. Modbus Interface

9.1. General Description

The Modbus protocol is an application-layer messaging protocol developed by Modicon in 1979. It is used to establish master-slave/client-server communication between intelligent devices over different types of buses or networks. The Intesis gateway supports Modbus TCP and RTU.

Modbus is a request/reply protocol and offers services specified by function codes. Modbus function codes are elements of Modbus request/reply PDUs (Protocol Data Unit).

9.2. Modbus Server Interface

9.2.1. Description

The gateway acts as a server device in its Modbus interface, which can be:

- The Ethernet port for Modbus TCP.
- The EIA-485/EIA-232 ports for Modbus RTU.



NOTICE

Modbus RTU and TCP modes can be active in the gateway one at a time or both simultaneously.

To access the gateway's points and resources from a Modbus client device, you must specify as Modbus register addresses those configured inside the gateway corresponding to the signals on the field device protocol.

9.2.2. Functions Supported



NOTICE

This part is common for both Modbus TCP and Modbus RTU.

Table 4. Modbus functions

| # | Function | Read/Write |
|----|--------------------------|------------|
| 01 | Read Coils | R |
| 02 | Read Discrete Inputs | R |
| 03 | Read Holding Registers | R |
| 04 | Read Input Registers | R |
| 05 | Write Single Coil | W |
| 06 | Write Single Register | W |
| 15 | Write Multiple Coils | W |
| 16 | Write Multiple Registers | W |

If poll records are used to read or write more than one register, the range of addresses requested must contain valid addresses; if not, the Intesis gateway will return the corresponding Modbus error code.

All registers are of 2 bytes, even if they are associated with signals of bit type on the other protocol's side. Its content is expressed in MSB .. LSB.¹

Modbus error codes are fully supported. They are sent whenever a non-valid Modbus action or address is required.

¹MSB: most significant bit; LSB: less significant bit

9.2.3. Modbus RTU

Using the configuration tool, you can set these parameters:

- Baud rate: 1200, 2400, 4800, 9600, 19200, 38400, 56700 and 115200 bps.
- Data Bits: 8 bits.
- Parity: none, even, or odd.
- Stop Bits: 1 and 2 bits.
- Modbus server address.
- Physical connection (EIA-232 or EIA-485).



IMPORTANT

- EIA-232 connector uses RX, TX, and GND lines.
- EIA-485 connector uses B-, A+, and SNGD.

9.2.4. Modbus TCP

Modbus TCP communication is characterized basically by the embedding of the Modbus RTU protocol into TCP/IP frames, which allows faster communication and a longer distance between client and server devices in comparison with RTU communication over a serial line. Another benefit is using common TCP/IP infrastructure in buildings and transmitting over WAN or the internet. It also allows the coexistence of one or more clients and, of course, one or more server devices in a given network, all interconnected through a TCP/IP-based network.

Use the configuration tool to configure the IP settings of the gateway (DHCP status, own IP, netmask, and default gateway) and the TCP port.



NOTE

The default port is 502.

9.2.5. Modbus Server Interface Points Definition

The Modbus registers are fully configurable through the configuration tool; any point in the gateway can be freely configured with the desired Modbus register address.

Every point defined in the gateway has the following Modbus features associated with it:

| Feature | Description |
|-------------------------|---|
| #Bits | <ul style="list-style-type: none"> • 1 bit • 16 bits • 32 bits |
| Data Coding Format | <ul style="list-style-type: none"> • 16/32 unsigned • 16/32 bits signed (one's complement – C1) • 16/32 bits signed (two's complement – C2) • 16/32 bits Float • 16/32 bits Bitfields • Error comm. |
| Byte Order | <ul style="list-style-type: none"> • Big Endian • Little Endian • Word Inverted Big Endian • Word Inverted Little Endian |
| Register Address | The Modbus register address inside the server device for the point. |
| Bit inside the register | <p>Bit inside the Modbus register (optional). The Intesis gateway allows bit decoding from generic 16 bits input/holding Modbus registers.</p> <p><i>Some devices use the bit coding into 16 bits input/holding Modbus registers to encode digital values. These registers are generally accessible using Modbus function codes 03 and 04 (read holding/input registers).</i></p> |
| Read/Write | <p>0: Read</p> <p>1: Write</p> <p>2: Trigger</p> |

9.3. Modbus Client Interface

9.3.1. Description

The Intesis gateway acts as a client device in the Modbus TCP network, Modbus RTU client, or both.



IMPORTANT

Other Modbus devices connected to the network communicating with the gateway must always be server devices.

The gateway supports communication with up to five Modbus TCP server devices.

For every defined point belonging to a particular Modbus TCP server device, a server address from 0 to 255 can also be freely configured. This feature offers great flexibility for installations. For example, when integrating several Modbus RTU server devices connected in a serial line, with an RTU/TCP converter on top of this serial line, it enables access to the RTU server points through TCP/IP. In this case, the RTU/TCP converter communicating in TCP identifies the destination of the point (server address in the RTU network) by the contents of the server address field.

Modbus TCP server devices are characterized by their IP address and predefined registers address map. This address map specifies the address, type, and characteristics of the Modbus server device's internal points (commonly called registers). These registers are accessible using the Modbus TCP protocol.


Communication parameters of the Intesis gateway (IP address, netmask, default router address, and TCP port) are fully configurable to adapt to any IP network and server device.

The Modbus TCP protocol defines different function code types to read/write different register types from the Modbus devices. It also defines different data formats to encode values.

Also, the data encoding used for 16 bits registers (big-endian or little-endian) can be configured in the Intesis gateway. This is the byte order for data encoding (MSB..LSB or LSB..MSB)². Although specified as big-endian in the Modbus protocol specification, this data encoding varies depending on the manufacturer/type of server.

9.3.2. Points Definition

Every point defined in the Intesis gateway has the following Modbus features associated with it:

| Feature | Description |
|---|---|
| Modbus device | Modbus TCP device to which belongs the point, from a list of Modbus TCP server devices that can be defined in the Intesis gateway (up to 5). For every defined Modbus TCP server device, a virtual signal is automatically created in the Intesis gateway to report the communication with the device. Like the rest of the points, this signal is also available from the field device interface. |
| Function code Read func. Write func. | 01 Read Coils 02 Read Discrete Inputs 03 Read Holding Registers 04 Read Input Registers 05 Write Single Coil 15 Write Single Register 06 Write Multiple Coils 16 Write Multiple Register |
| #Bits | Number of bits to be used by this signal. |
| Data coding format | <ul style="list-style-type: none"> • 16/32/48/64 bits unsigned • 16/32/48/64 bits signed (one's complement – C1) • 16/32/48/64 bits signed (two's complement – C2) • 16/32/48/64 bits Float • 16/32/48/64 bits Bitfields • Error comm |
| Byte order | <ul style="list-style-type: none"> • Big-endian • Little-endian • Word inverted big-endian • Word inverted little-endian |
| Register address | The Modbus register address inside the server device for the point. |
| Bit inside the register | Bit inside the Modbus register (optional). The Intesis gateway allows bit decoding from generic 16 bits input/holding Modbus registers. <div style="background-color: #f0f0f0; padding: 5px; margin-top: 10px;"> <p> NOTICE Some devices use the bit coding into 16 bit input/holding Modbus register to encode digital values. These registers are generally accessible using Modbus function codes 03 and 04 (read holding/input registers).</p> </div> |

²MSB: most significant bit; LSB: less significant bit

10. ASCII Interface

10.1. Description

The Intesis gateway can be connected to any ASCII-enabled device via its EIA-232, EIA-485, or TCP/IP (Ethernet) connectors, supervising and controlling its internal points through this interface by using simple ASCII messages.

When the gateway receives a new value for a point from the other protocol system, its ASCII interface sends the corresponding message indicating the new value to the ASCII system.



IMPORTANT

- This functionality is only possible if the point is configured to send these "spontaneous messages." If it doesn't, the new value will remain available in the gateway for a later poll of the ASCII system.
- You can configure this behavior for every gateway point through the configuration tool.

10.2. ASCII Serial

The ASCII interface and the ASCII master device serial connection type must be the same.

10.3. ASCII TCP

The Intesis gateway allows the configuration of:

- TCP port (5000 by default).
- IP address.
- Subnet mask.
- Default router address.

10.4. Address Map

The ASCII address map is fully configurable; any point in the gateway can be freely configured with the desired internal register address.

10.5. Points Definition

Every point defined in the gateway has the following ASCII features associated with it:

| Feature | Description | | | |
|--------------------------------------|--|---|---|--|
| Signal | Signal or point description. Only for information purposes at the user level. | | | |
| ASCII string | Defines the ASCII string that will be used to access this register. Max. length: 32 characters | | | |
| Read/Write | Defines the current function (read, write, or both) to be used from the ASCII side with this register. It can't be configured as it is directly set when selecting the current BACnet type object. | | | |
| | Function | Read | Write | Read/Write |
| | BACnet object | Analog input Binary input Multistate input Loop Accumulator | Analog output Binary output Multistate output | Analog value Binary value Multistate value |
| Spontaneous | Determines the creation and sending of an ASCII message when any point from the BACnet side changes its value. | | | |
| A/D (Analog/ Digital) | Defines the current variable type for this register from the ASCII side. It can't be configured as it is directly set when selecting the current BACnet type object. | | | |
| | Type | Analog | Digital | |
| | BACnet object | Analog input Analog output Analog value Multistate input Multistate output Multistate value Loop Accumulator | Binary input Binary output Binary value | |

11. Mounting



IMPORTANT

Before mounting, please ensure that the chosen installation place preserves the gateway from direct solar radiation, water, high relative humidity, or dust.



IMPORTANT

Ensure the gateway has sufficient clearances for all connections when mounted. See [Dimensions](#).



NOTE

Mount the gateway over a DIN rail, preferably inside a grounded metallic industrial cabinet.

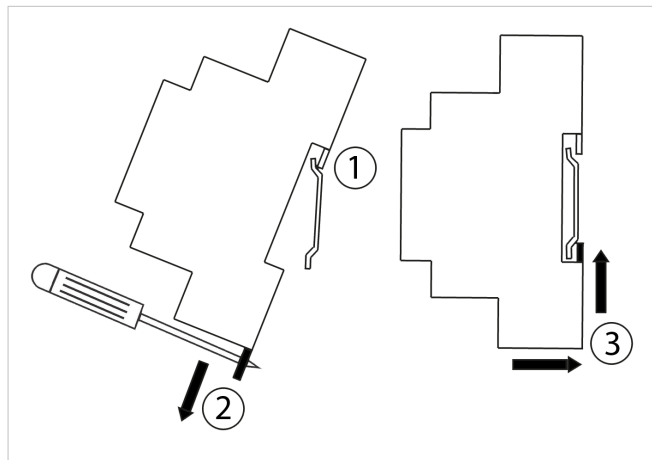
DIN rail mounting

1. Fit the gateway's top-side clips in the upper edge of the DIN rail.
2. Press the low side of the gateway gently to lock it in the DIN rail.
3. Make sure the gateway is firmly fixed.



NOTE

For some DIN rails, to complete step 2, you may need a small screwdriver or similar to pull the bottom clip down.



12. Connections

Please find in the following table the gateway's ports and their use depending on the configuration.

| Configuration | Port A EIA-485 | Port B EIA-485 | Port B EIA-232 | Ethernet |
|---------------|----------------|-----------------------------|----------------|---|
| IN-BAC-MBM | Modbus RTU | Bacnet MS/TP, Modbus RTU | NA | Modbus TCP, BACnet/IP, and Console* |
| IN-MBS-BAC | BACnet MS/TP | Modbus RTU | Modbus RTU | Modbus TCP, BACnet/IP, and Console* |
| IN-ASCII-BAC | BACnet MS/TP | ASCII | ASCII | BACnet/IP, ASCII TCP, and Console* |

*Console: you can use the Ethernet port to connect the gateway to the PC for configuration purposes.

The following table shows the pinout correspondence for each serial port.

| Port A EIA-485 | Port B EIA-485 | Pin-out |
|----------------|----------------|---------|
| A4 | B1 | A+ |
| A3 | B2 | B- |
| A1 and A2 | B3 | SNGD |

12.1. Power Supply



NOTE

The way to supply power to the gateway is the same for all applications.



CAUTION

Before manipulating any equipment, including this gateway, ensure the system is disconnected from the power source.

The power supply connector is a green pluggable terminal block (three poles) labeled as **Power**.



IMPORTANT

- Use SELV-rated NEC class 2 or limited power source (LPS) power supply.
- Connect the gateway's ground terminal to the installation grounding.
- A wrong connection may cause earth loops that can damage the Intesis gateway and/or any other system equipment.

Apply the voltage within the admitted range and of enough power:

- **For DC:** 9 .. 36 VDC, Max: 260 mA
- **For AC:** 24 VAC (+/-10 %), 50-60 Hz, Max: 100 mA

Recommended voltage: 24 VDC, Max: 100 mA

**IMPORTANT**

- **When using a DC power supply:** Respect the polarity labeled on the power connector for the positive and negative wires.
- **When using an AC power supply:** Ensure the same power supply is not powering any other device.

Once powered, the Run LED of the gateway will turn on.

12.2. Connection Diagrams for each Application

Look for the appropriate diagram depending on your application:

Figure 1. Modbus master to BACnet server

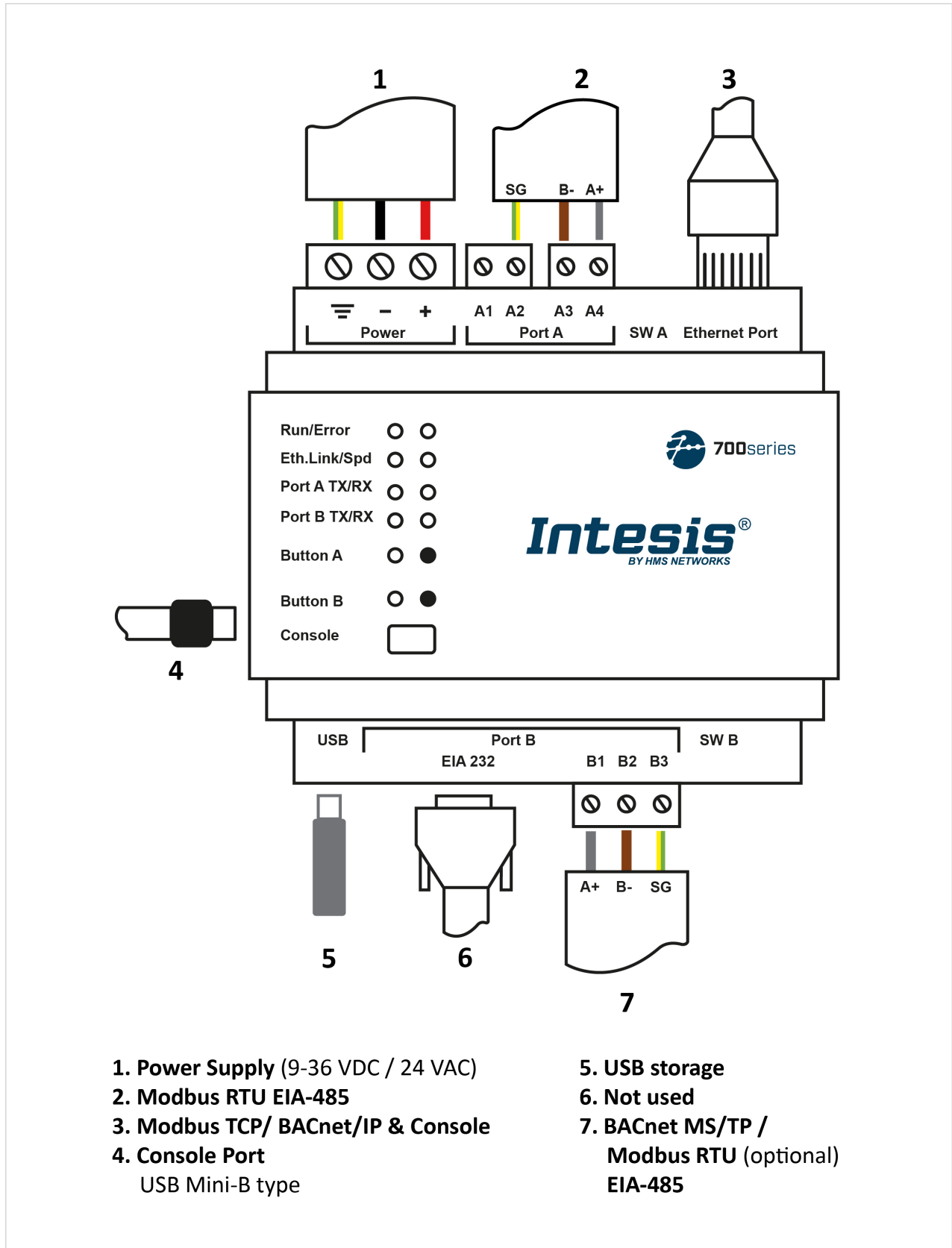


Figure 2. BACnet client to Modbus server

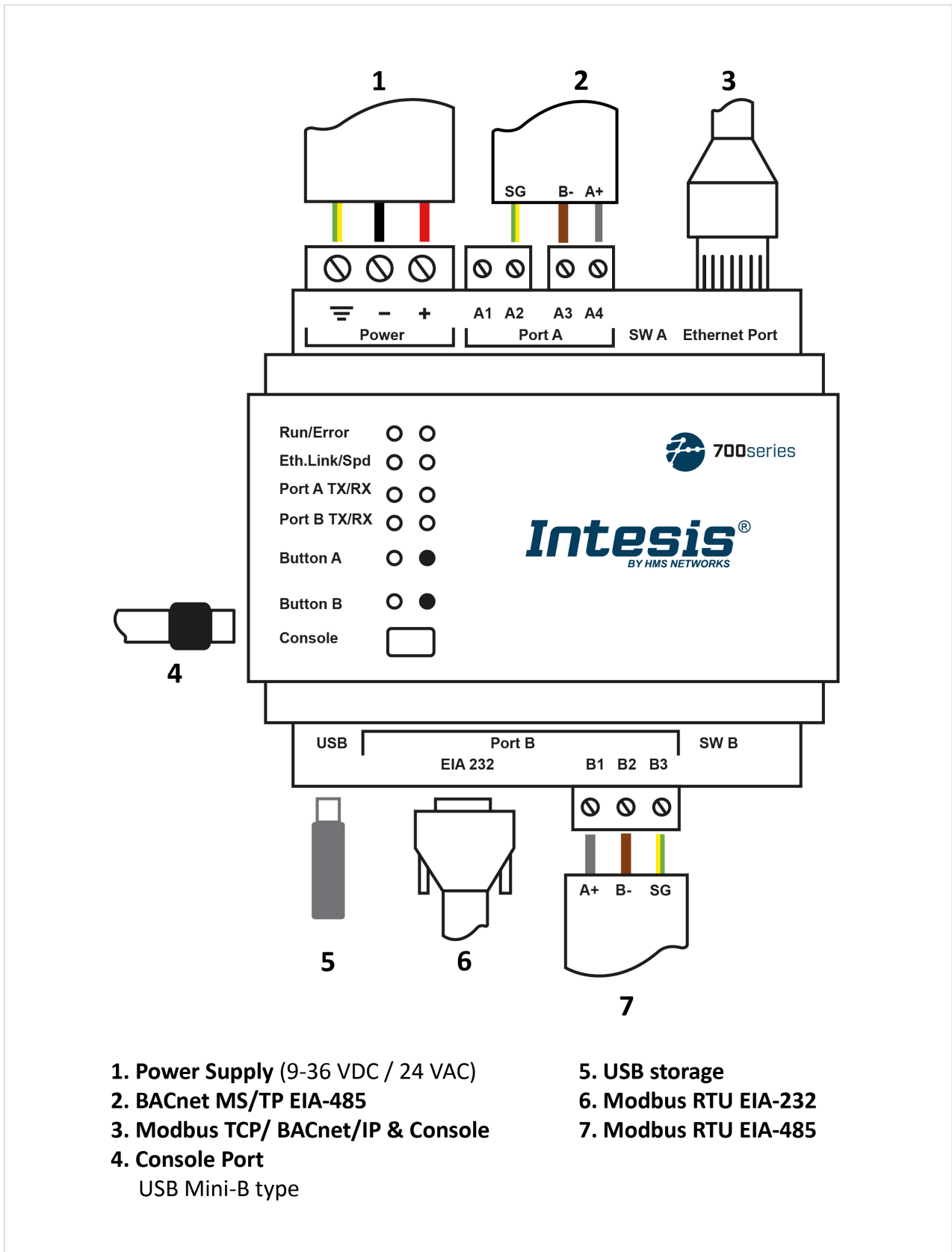
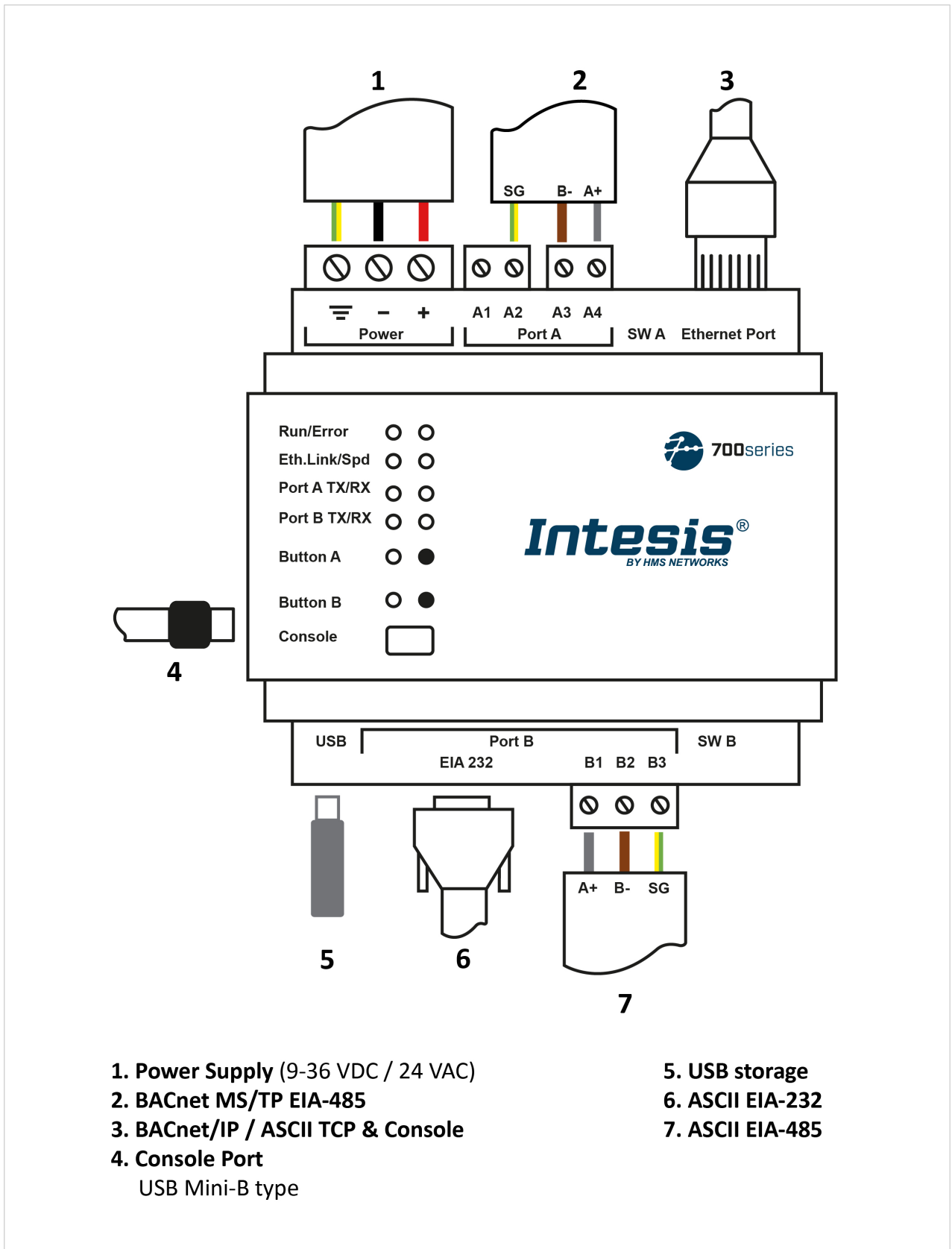


Figure 3. BACnet client to ASCII



- 1. Power Supply (9-36 VDC / 24 VAC)
- 2. BACnet MS/TP EIA-485
- 3. BACnet/IP / ASCII TCP & Console
- 4. Console Port
USB Mini-B type

- 5. USB storage
- 6. ASCII EIA-232
- 7. ASCII EIA-485

12.3. Connection to Modbus

- **Ethernet port for Modbus TCP and Console connection:**

Connect the communication cable from the Modbus TCP network to the Ethernet port of the gateway.



IMPORTANT

Use a straight Ethernet UTP/FTP CAT5 or higher cable.



IMPORTANT

If communicating through the LAN of the building, contact the network administrator and make sure traffic on the used port is allowed through all LAN paths.



NOTE

After powering up the Intesis gateway for the first time, DHCP will be enabled for 30 seconds. After that time, if a DHCP server provides no IP, the default IP 192.168.100.246 will be set.

- **Port B EIA-485 connection for Modbus RTU:**

Connect the EIA-485 bus to connectors B1 (A+), B2 (B-), and B3 (SNGD) of the gateway's Port B.



IMPORTANT

Respect the polarity.



IMPORTANT

Remember the characteristics of the standard EIA-485 bus:

- Maximum distance of 1200 meters.
- Maximum of 32 devices connected to the bus.
- A termination resistor of 120 Ω is needed at each end of the bus. The gateway has an internal bus biasing circuit already incorporating the termination resistor. It can be enabled using the DIP switches:
 - **Position 1**
 - ON: 120 Ω termination active.
 - OFF: 120 Ω termination inactive.
 - **Position 2 and 3**
 - ON: Polarization active.
 - OFF: Polarization inactive.
- If the termination resistor is enabled and you install the gateway at one of the ends of the bus, do not install an additional termination resistor at that end.



NOTE

Only for the Modbus client to BACnet server application, you can also use **Port A** for the Modbus RTU connection (see [Figure 4 \(page 24\)](#)).

- **Port B EIA-232:**

Connect the serial cable EIA-232 from the external serial device to the EIA-232 connector of the gateway Port B.



NOTE

This is a DB9 male (DTE) connector that only uses the TX, RX, and GND.



IMPORTANT

Respect the maximum distance of 15 meters.

12.4. Connection to BACnet

- **Ethernet connection for BACnet/IP:**

Connect the BACnet/IP network to the Ethernet port of the gateway. The correct cable to use depends on where the gateway is connected:

- Connecting directly to a BACnet/IP device: use a crossover Ethernet UTP/FTP CAT5 or higher cable.
- Connecting to a hub or switch of the LAN of the building: use a straight Ethernet UTP/FTP CAT5 or higher cable.



IMPORTANT

If there is no response from the BACnet devices to the frames sent by the gateway:

- Check that they are operative and reachable from the network connection used by the gateway.
- Check the gateway Ethernet interface sending *Pings* to its IP address using a PC connected to the same Ethernet network.
- Contact the network admin to be sure there are no limitations regarding UDP communication or ports blocked.



IMPORTANT

If communicating through the LAN of the building, contact the network administrator and make sure traffic on the used port is allowed through all LAN paths.



NOTE

After powering up the Intesis gateway for the first time, DHCP will be enabled for 30 seconds. After that time, if a DHCP server provides no IP, the default IP 192.168.100.246 will be set.

- **Port B EIA-485 connection for BACnet MS/TP:**

Connect the EIA-485 bus to connectors B1 (A+), B2 (B-), and B3 (SNGD) to the Port B of the gateway.



IMPORTANT

Respect the polarity.



IMPORTANT

Remember the characteristics of the standard EIA-485 bus:

- Maximum distance of 1200 meters.
- Maximum of 32 devices connected to the bus.
- A termination resistor of 120 Ω is needed at each end of the bus. The gateway has an internal bus biasing circuit already incorporating the termination resistor. It can be enabled using the DIP switches:
 - **Position 1:**
 - ON: 120 Ω termination active.
 - OFF: 120 Ω termination inactive.
 - **Position 2 and 3:**
 - ON: Polarization active.
 - OFF: Polarization inactive.



IMPORTANT

If the termination resistor is enabled and you install the gateway at one of the ends of the bus, do not install an additional termination resistor at that end.

12.5. Connection to ASCII

- **Ethernet port for ASCII TCP:**

Connect the communication cable from the ASCII TCP network to the Ethernet port of the gateway.



IMPORTANT

Use a straight Ethernet UTP/FTP CAT5 or higher cable.



IMPORTANT

If communicating through the LAN of the building, contact the network administrator and make sure traffic on the used port is allowed through all LAN paths.



NOTE

After powering up the Intesis gateway for the first time, DHCP will be enabled for 30 seconds. After that time, if a DHCP server provides no IP, the default IP 192.168.100.246 will be set.

- **Port B EIA-485 connection for ASCII serial:**

Connect the EIA-485 bus to connectors B1 (A+), B2 (B-), and B3 (SNGD) to the Port B of the gateway.



IMPORTANT

Respect the polarity.



IMPORTANT

Remember the characteristics of the standard EIA-485 bus:

- Maximum distance of 1200 meters.
- Maximum of 32 devices connected to the bus.
- A termination resistor of 120 Ω is needed at each end of the bus. The gateway has an internal bus biasing circuit already incorporating the termination resistor. It can be enabled using the DIP switches:
 - **Position 1:**
 - ON: 120 Ω termination active.
 - OFF: 120 Ω termination inactive.
 - **Position 2 and 3:**
 - ON: Polarization active.
 - OFF: Polarization inactive.
- If the termination resistor is enabled and you install the gateway at one of the ends of the bus, do not install an additional termination resistor at that end.

- **Port B EIA-232 for ASCII serial:**

Connect the serial cable EIA-232 from the external serial device to the EIA-232 connector of the gateway Port B.



NOTE

This is a DB9 male (DTE) connector that only uses the TX, RX, and GND.



IMPORTANT

Respect the maximum distance of 15 meters.

12.6. Console and USB Connections

- **Console port:**

Connect a USB Mini-B type cable from the gateway console port to a computer running the configuration tool.

**NOTICE**

With this software tool, you can configure and monitor the gateway.

**NOTE**

If your computer has an Ethernet port, you can also use the **Ethernet** port of the gateway to connect both.

- **USB port:**

**TIP**

You can connect a USB storage device to the USB port of the gateway to store logs.

**IMPORTANT**

The USB port doesn't support HDD devices.

13. Set-up Process with the Configuration Tool

13.1. Prerequisites

For this integration, you need:

- The items delivered by HMS Networks:
 - The Intesis IN700485xxx0000 protocol translator gateway.
 - A mini-type B USB to USB cable.
 - Link to download the configuration tool.
 - Product documentation.
- The respective client or server devices connected to either the EIA-485/EIA-232 Port B or to the Ethernet port.

13.2. Intesis MAPS: Configuration and Monitoring Tool

13.2.1. Introduction

To configure the gateway, you need a PC running Intesis MAPS. You can download this configuration tool from <https://www.intesis.com/products/intesis-maps#download>.

Intesis MAPS is a Windows® compatible software explicitly developed to monitor and configure Intesis gateways.



NOTE

The following sections provide some primary and general information to configure this gateway. Although Intesis MAPS is an easy-to-manage user-friendly tool, you may need more specific and comprehensive information about the different parameters and how to configure them. If so, please refer to these specific Intesis MAPS user manuals depending on the protocol you are working with:

- [BACnet](#)
- [Modbus](#)



NOTICE

The Intesis MAPS user manual referring to ASCII protocol will come soon.

13.2.2. Template Selection

When opening the software, you will see the main window, called **Getting started**. Here you can select the template for your application:

1. Click **Create New Project** in the left menu.
2. Select the appropriate template for your application. To filter the selection:
 - Click on the protocol logos.
 - Type the order code in the **Order Code** field,
 - Check out the list to find the template you need.

Figure 4. The three possibilities for the template selection

New Project

Select BMS Protocol

Select Template

Order Code:

| Project Name | BMS Protocol | Device Protocol | Description | Gateway Order Code |
|----------------|--------------|-----------------------------|---|---|
| IN-KNX-BAC | KNX | BACnet Client | Intesis BACnet Client to KNX Gateway | IN701K1N1000000 INKNXBACxxxxv00 IBKNXBACxxxxv00 |
| IN-KNX-DALI-64 | KNX | DALI | Intesis DALI to KNX Gateway | INKNXDAL064v00 IBKNXDAL064v00 |
| IN-KNX-FJ | KNX | Fujitsu VRF | Intesis Fujitsu AC to KNX Gateway | INKNXFGLxxxxv00 IBKNXFGLxxxxv00 |
| IN-KNX-HI | KNX | Hitachi | Intesis Hitachi AC to KNX Gateway | IN770A1Rxxxx000 INKNXHITxxxxv00 IBKNXHITxxxxv00 |
| IN-KNX-HS | KNX | Hisense | Intesis Hisense AC to KNX Gateway | IN770A1Rxxxx000 INKNXHSxxxxv00 IBKNXHSxxxxv00 |
| IN-KNX-LG | KNX | LG | Intesis LG AC to KNX Gateway | INKNXLGxxxxv00 |
| IN-KNX-MBM | KNX | Modbus Master | Intesis Modbus Master to KNX Gateway | IN701K1N1000000 INKNXMBxxxxv00 IBKNXMBxxxxv00 |
| IN-KNX-MBUS | KNX | M-Bus | Intesis M-Bus to KNX Gateway | INKNXMBxxxxv00 IBKNXMBxxxxv00 |
| IN-KNX-MD | KNX | Midea | Intesis Midea to KNX Gateway | IN770A1Rxxxx000 |
| IN-KNX-ME | KNX | Mitsubishi Electric | Intesis Mitsubishi Electric AC to KNX Gate... | IN770A1Rxxxx000 INKNXMExxxxv00 IBKNXMExxxxv00 |
| IN-KNX-MH | KNX | Mitsubishi Heavy Industries | Intesis Mitsubishi Heavy Industries to KNX... | IN776MHxxxx000 |
| IN-KNX-PA | KNX | Panasonic | Intesis Panasonic to KNX Gateway | IN770A1Rxxxx000 INKNXPAxxxxv00 IBKNXPAxxxxv00 |
| IN-KNX-SM | KNX | Samsung NASA | Intesis Samsung NASA AC to KNX Gateway | IN770A1Rxxxx000 INKNXSANxxxxv00 IBKNXSANxxxxv00 |

Device model: 700 Series Family

Available Licenses

- 100 points
- 250 points
- 600 points
- 1200 points
- 3000 points

Order Codes

- IN701K1N1000000
- IN701K1N2500000
- IN701K1N6000000
- IN701K1N1200000
- IN701K1N3000000

3. Select the template and click **Next** or double-click it in the list.

13.2.3. Connection Tab

- Connect the gateway to your PC.
 - Use the gateway's **Ethernet port** and an Ethernet CAT5 or higher cable.
 - Use the **Console** port and a USB Mini-B type to USB A type cable.
- On the **Connection Type** parameter, select the way you connected the gateway to your PC:
 - Select **IP** if you are using the **Ethernet port** of the Intesis gateway.



NOTICE

The default password when connecting via IP is **admin**.



IMPORTANT

Make sure you have an internet connection.



NOTE

When using the IP connection, the gateway's name appears:

- In black:** It is compatible with the selected template.
- In red:** It is not compatible with the selected template.

- Select **USB Port** if you are using the **Console** port of the gateway.



NOTICE

No password is needed when connecting via USB.

- Select your gateway from the **Discovered Gateways** list on the left.
- Click **Connect**.



NOTE

If your Intesis gateway firmware doesn't match the selected template, a pop-up window will prompt you to download the correct firmware.

- Identify:** Click the **Identify** button to make the gateway's LEDs blink for 10 seconds.
- Edit:** Click the **Edit** button to open the **Config IP settings** window.

| Config IP settings | |
|--------------------|--------------------------|
| Description | Value |
| Mac Address | CC:3F:1D:02:A2:C0 |
| IP Address | 10.113.51.238 |
| NetMask | 255.255.252.0 |
| Gateway | 10.113.48.5 |
| Is DHCP | <input type="checkbox"/> |
| Password | <input type="password"/> |

You can edit the **IP Address**, **NetMask**, and Default **Gateway IP**.



NOTE

These parameters can also be edited in the **Configuration** tab. See [Connection](#).

13.2.4. Configuration Tab

In the Configuration tab, you can configure general parameters and parameters for both protocol interfaces of the Intesis gateway.

On the left side of the window, three submenus are shown:

- Submenu 1: **General** configuration parameters for the gateway.
- Submenus 2 and 3: BMS and Device respective protocols configuration parameters.

13.2.5. Signals Tab

This menu lists all available signals and their parameters for both protocols.



NOTE

You can find more information on every parameter and how to configure it in the Intesis MAPS user manual:

- [Modbus](#)
- [BACnet](#)

Below the list of signals, these options are available:

- **Active signals:** Number of active signals in the list / Total number of signals in the list.
- **Hide Disabled signals:** Hide all disabled signals from the list (disabled by default).
- **Edit Columns:** Click this button to hide/show any column of the list.
- **Import:** Click this button to import a signals' configuration from an xls file. These signals can be added to the existing ones or replace them.
- **Export:** Click this button to export the current signals' configuration to an xls file.
- **A:** Increases or decreases the font size.
- Click the **Check table** button to review the signals' configuration.



NOTE

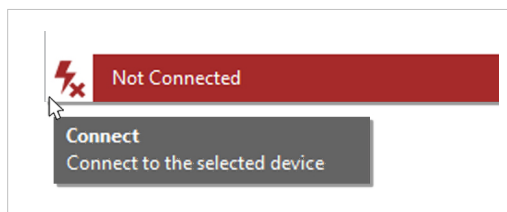
If any parameter on any signal is wrong, a message will pop up with specific information about the error.

13.2.6. Receive/Send Tab

Send:

Once you have finished setting the parameters, you have to send the configuration to the gateway:

1. Click the **Send** button.
 - a. If the gateway is still factory-set, you will be prompted to save the project on your PC. Once saved, the configuration is automatically sent to the gateway.
 - b. If you have already saved the project, the configuration is automatically sent to the gateway.
2. Connect again with the gateway after sending the file.



NOTICE

The gateway reboots automatically once the new configuration is loaded. This process may take a few seconds.

Receive:

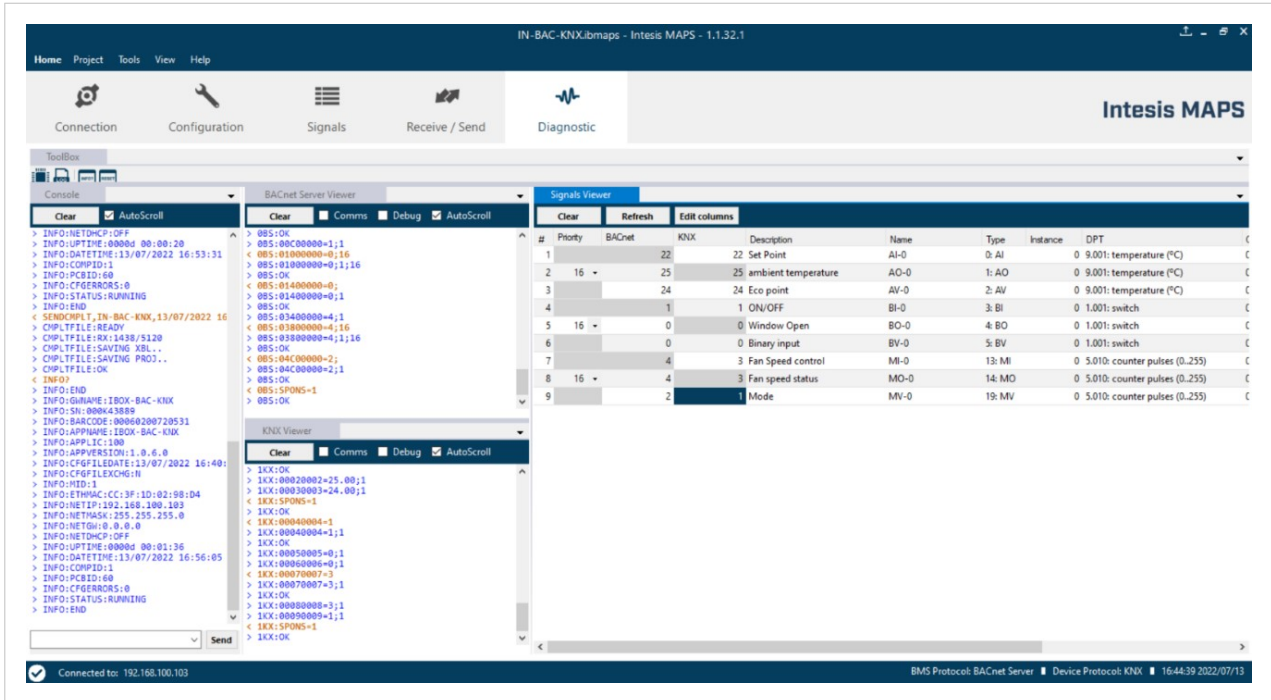
Use this function to get the configuration of a gateway, for example, when you need to change some parameters of a gateway already mounted in an installation.

Once the configuration is completed and sent, the gateway is already operative. Even so, you should review that everything works correctly by entering the **Diagnostic** tab.

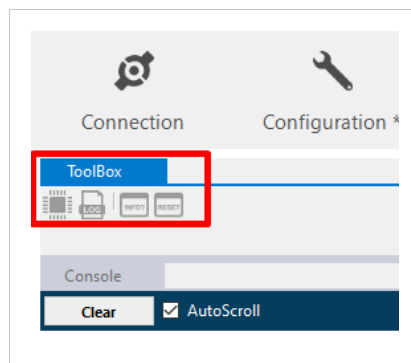
13.2.7. Diagnostic Tab

IMPORTANT
 Connection with the gateway is required to use the diagnostic tools.

Figure 5. Diagnostic tab window. Find the ToolBox between the upper tabs bar and the Console view. Below it, from left to right: Console viewer, Protocol viewers (one above the other), and the Signals viewer



ToolBox:



Use the tools section to:

- **Microprocessor icon:** Check the current hardware status of the gateway.
- **LOG:** Set Intesis MAPS in logging mode to record all the information present in the viewers and save it in a .zip file.
- **INFO?:** Get some gateway information.
- **RESET:** Reset the gateway.

**NOTE**

Depending on your screen resolution, the **ToolBox** icons may appear partially hidden behind the **Viewers** window.

Viewers:

Intesis MAPS provides several viewers:

- A generic console viewer for general information about communications and the gateway status.
- A viewer for both protocols to check their current status.
- A signals viewers to simulate the BMS behavior or check the system's current values.

14. Technical Specifications

| | |
|-------------------------------|--|
| Housing | Plastic, type PC (UL 94 V-0) / Color: light grey. RAL 7035 |
| Mounting | DIN rail EN60715 TH35 |
| Terminal blocks wiring | Solid wires or stranded wires (twisted or with ferrule) are allowed. Per terminal: Millimeters: One core: 0.5 .. 2.5 mm ² / Two cores: 0.5 .. 1.5 mm ² / Three cores: not allowed Gauge: One core: 24 .. 11 AWG / Two cores: 24 .. 15 AWG / Three cores: not allowed |
| Power | 1 x green pluggable terminal block (3 poles) Ground, negative, and positive <ul style="list-style-type: none"> • For DC: 9 to 36 VDC, Max: 260 mA • For AC: 24 VAC +/-10 %, 50-60 Hz, Max: 100 mA Recommended: 24 VDC, Max: 100 mA |
| Ethernet | 1 x Ethernet RJ45 10/100BASE-T |
| Port A | 1 x serial EIA-485 orange pluggable terminal block (2 poles) <ul style="list-style-type: none"> • A+, B- 1 x green pluggable terminal block (2 poles) <ul style="list-style-type: none"> • SGND (reference ground or shield) 1500 Vdc isolation from other ports |
| SW A | 1 x DIP switch (3 position) for serial EIA-485 configuration: Position 1: <ul style="list-style-type: none"> • ON: 120 Ω termination active • OFF: 120 Ω termination inactive Position 2 and 3 <ul style="list-style-type: none"> • ON: polarization active • OFF: polarization inactive (default) |
| Port B | 1 x serial EIA-232 DB9 male Pinout from a DTE device / 1500 VDC isolation from other ports (except Port B: EIA-485) 1 x serial EIA-485 green pluggable terminal block (3 poles) <ul style="list-style-type: none"> • A+, B-, SGND (reference ground or shield) 1500 VDC isolation from other ports (except Port B: EIA-232) |
| SW B | 1 x DIP switch (3 position) for serial EIA-485 configuration: Position 1: <ul style="list-style-type: none"> • ON: 120 Ω termination active • OFF: 120 Ω termination inactive Position 2 and 3: <ul style="list-style-type: none"> • ON: polarization active • OFF: polarization inactive (default) |
| Battery | Type: Manganese Dioxide Lithium button battery / Size: 20 mm x 3.2 mm (0.79" x 0.13") / Capacity 3 V - 255 mA |
| Console port | USB Mini-B type 2.0 compliant / 1500 VDC isolation |
| USB port | USB A type 2.0 compliant / Only for USB flash storage devices (USB pen drive) / HDD connection not allowed / Power consumption limited to 150 mA |
| Push buttons | A and B buttons: Factory reset |
| Operational conditions | Before serial number 000R05920, Temperature: 0... 60°C / 32.. 140°F After serial number 000R05920 (included), Temperature: -10... 60°C / 14.. 140°F Humidity: 5 .. 95% (No condensation) |
| LED indicators | 10 x Onboard LED indicators: 1 x Power / 1 x Error / 2 x Ethernet / 2 x Port A / 2 x Port B / 1 x Button A / 1 x Button B |

15. Dimensions

- **Net dimensions (DxWxH)**

Millimeters: 90 x 88 x 58 mm

Inches: 3.54 x 3.46 x 2.28"



IMPORTANT

Leave enough clear space to wire the gateway easily and for the subsequent manipulation of elements such as connectors, DIP switches, etc.

